

GENERAL NOTES

1. THIS DRAWING IS THE PROPERTY OF BETTER DESIGN CONSTRUCTION. ANY USE AND /OR REPRODUCTION OF THIS DRAWING WITHOUT PRIOR WRITTEN PERMISSION FROM BETTER DESIGN CONSTRUCTION IS ILLEGAL.

2. ALL WORK SHALL COMPLY WITH LOCAL & NATION REGULATIONS AND UTILITIES COMPANY REQUIREMENTS AND BUILDER AGREES TO COMPLY WITH SUCH.

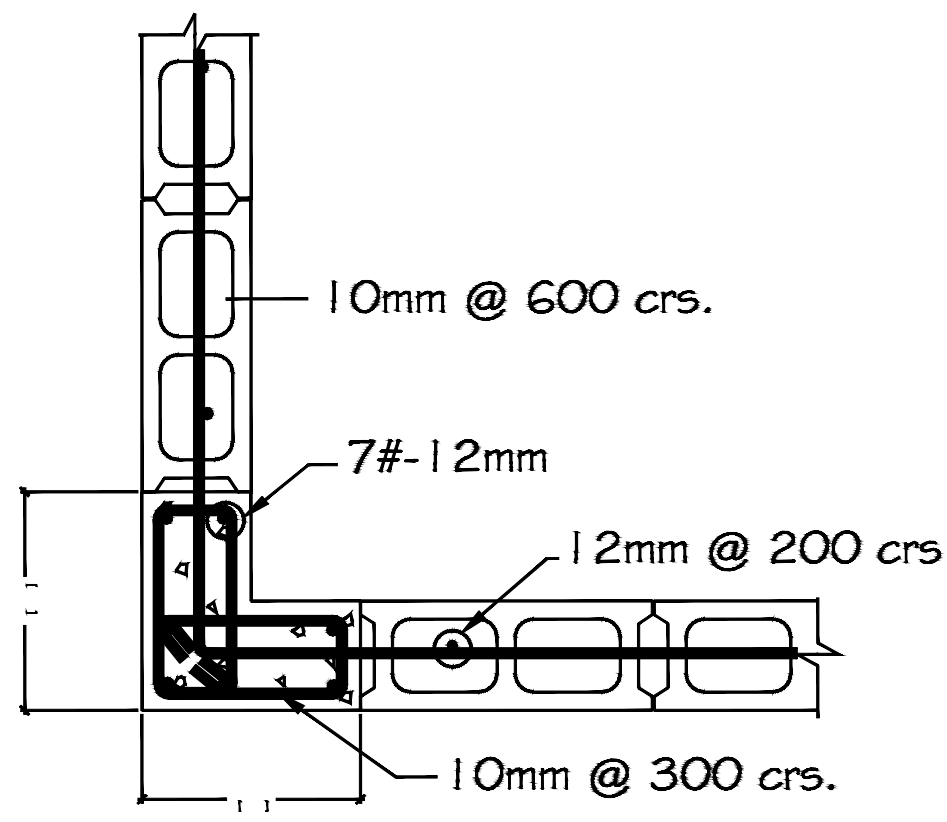
3. BUILDER/CONTRACTOR(S) TO VERIFY ALL DIMENSIONS AND JOB CONDITIONS PRIOR TO STARTING WORK AND ALL DISCREPANCIES TO BE CLARIFIED WITH BETTER DESIGN CONSTRUCTION. AT ONCE.

4. WRITTEN DIMENSIONS SHALL TAKE PREFERENCE OVER SCALED DIMENSIONS.

5. BUILDER/CONTRACTOR(S) SHALL BE RESPONSIBLE FOR ALL CONSTRUCTION MEANS, METHODS AND TECHNIQUES SEQUENCES AND PROCEDURES OF ALL WORK.

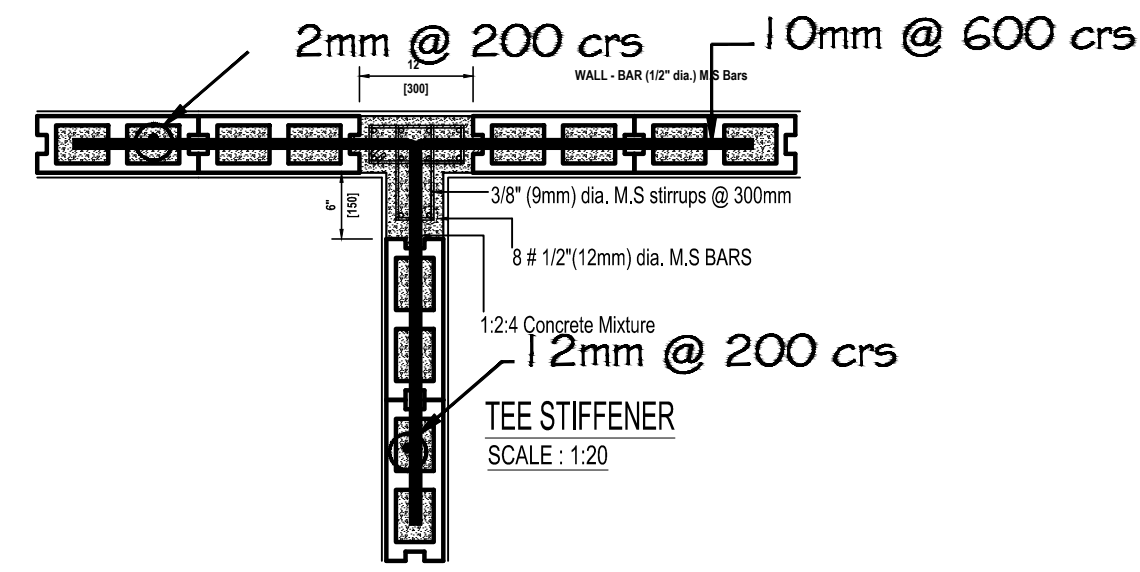
6. BETTER DESIGN CONSTRUCTION HAS BEEN RETAINED FOR DESIGN PURPOSES ONLY, FOR SERVICES IN SUPERVISION/ SITE MANAGEMENT THIS WILL REQUIRE A SEPERATE AGREEMENT.

7. IT IS ADVISABLE THAT CLIENTS ALLOW ARCHITECT TO ATLEAST LINE OUT STRUCTURE ON SITE, IF CONTRACT IS NOT AWARDED TO BETTER DESIGN CONSTRUCTION.



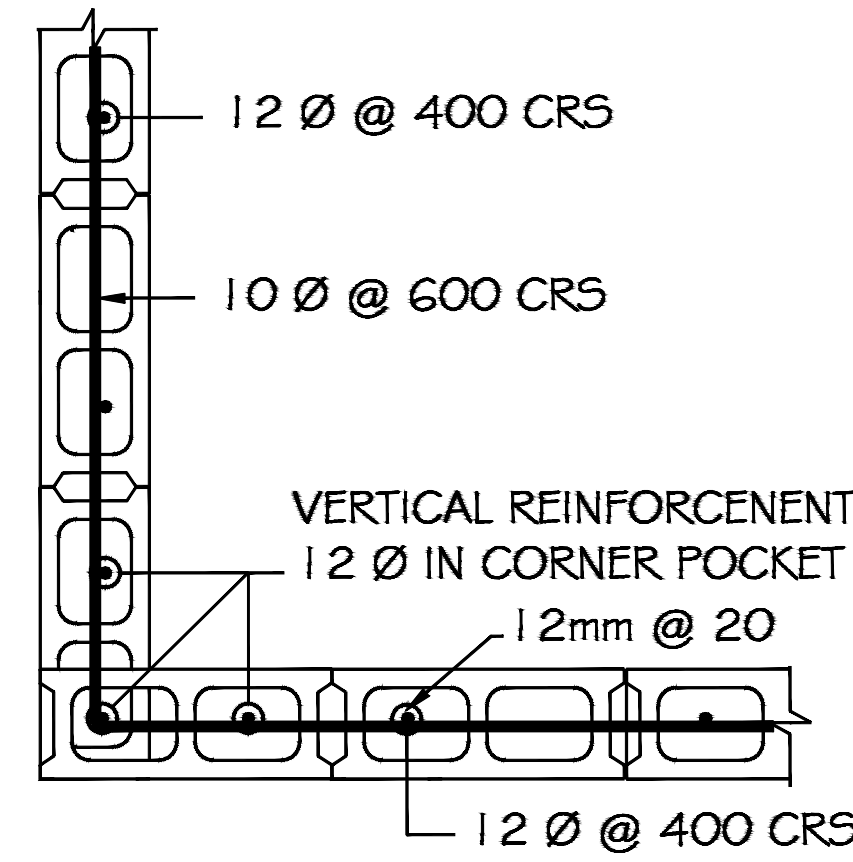
STIFF TYPE '2'

SCALE : 1:20



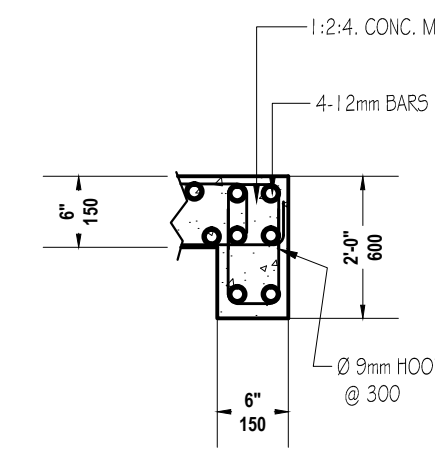
TEE STIFFENER

SCALE : 1:20



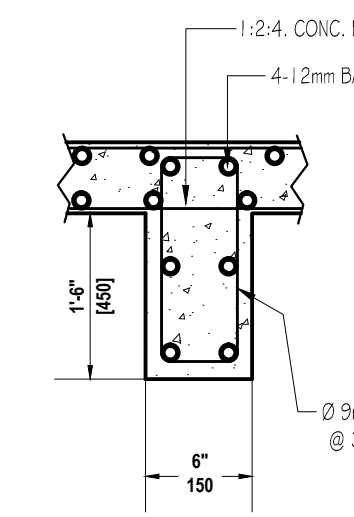
CORNER DETAIL

SCALE : 1:20



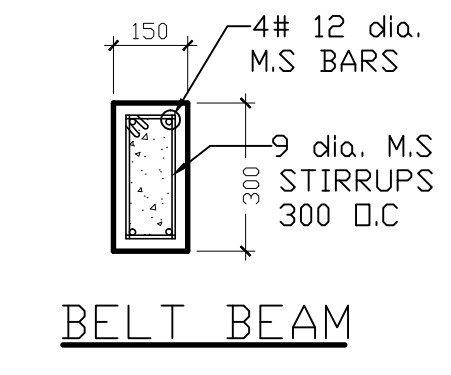
DETAIL "3"

N.T.S.

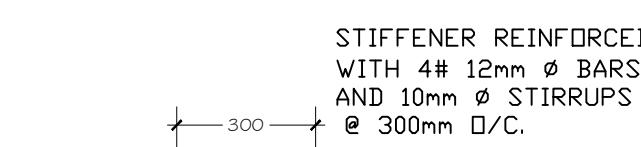


DETAIL "1"

N.T.S.

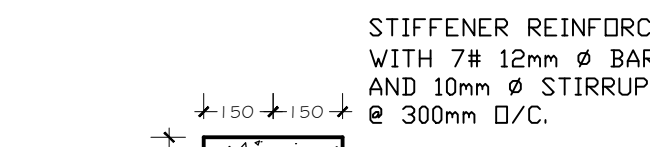


BELT BEAM



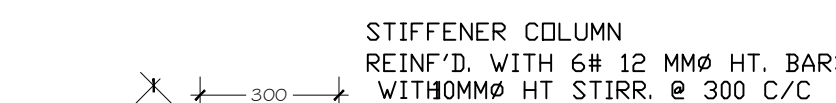
STIFF. TYPE B

SC : 1: 10



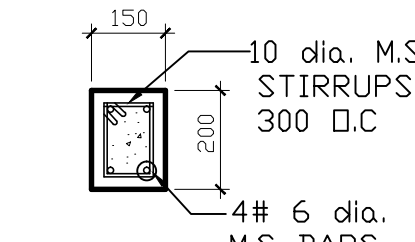
STIFF. TYPE A

SC : 1: 10

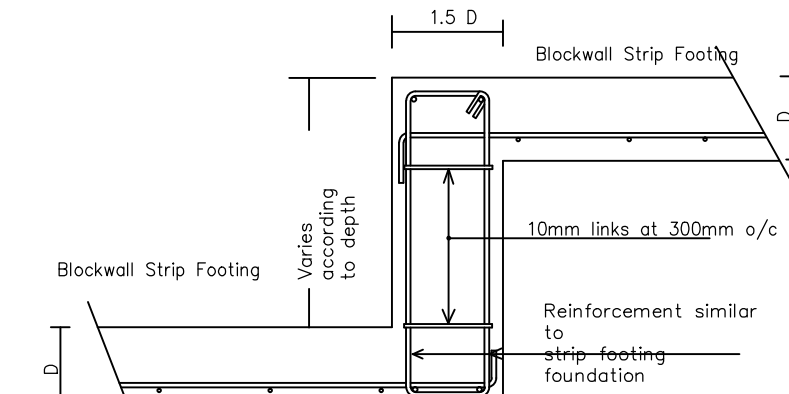


STIFF. TYPE C

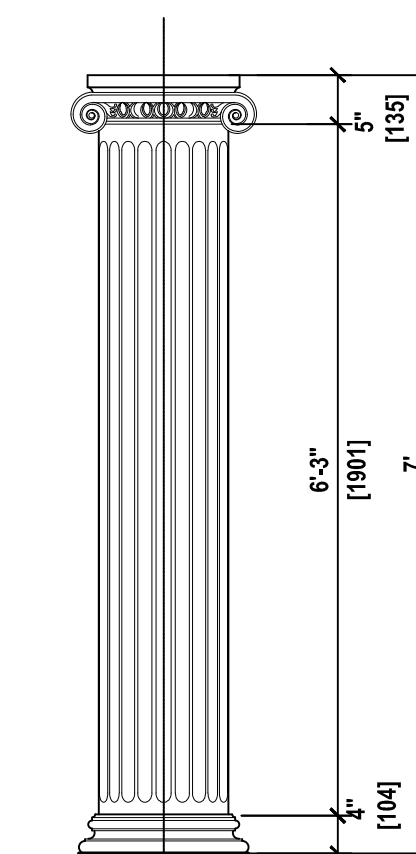
SC : 1: 10



LINTEL BEAM

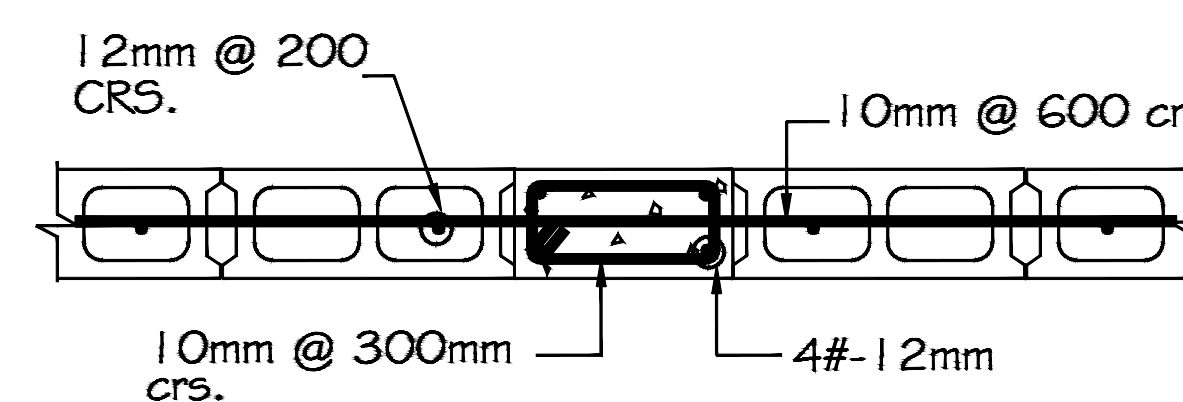


TYPICAL STEP FOUNDATION DETAIL
(Where applicable)



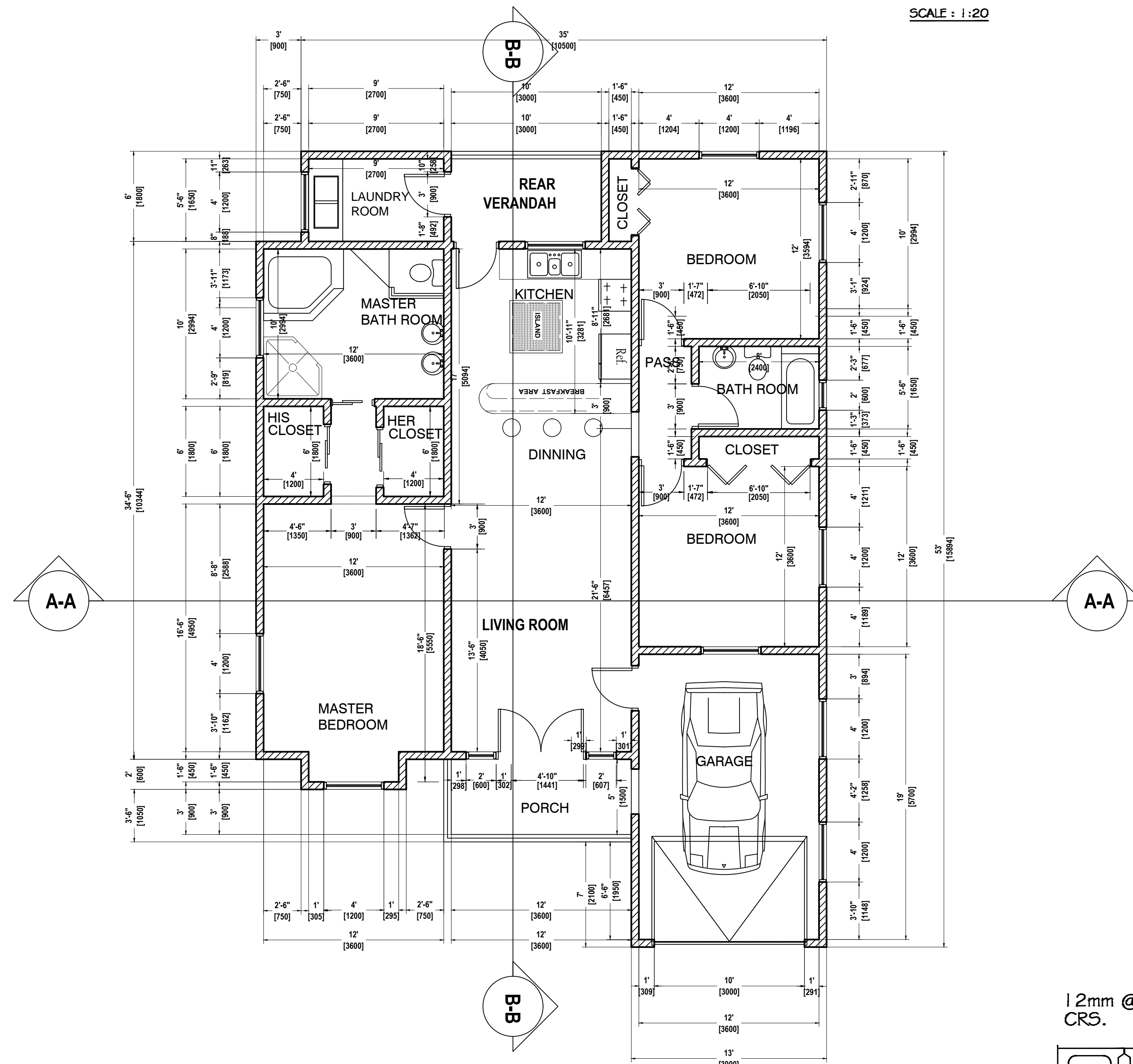
Column Detail

Scale 1:25(1/2"-1'-0")



STIFF TYPE '1'

SCALE : 1:20



GROUND FLOOR LAYOUT PLAN

BETTER DESIGN CONSTRUCTION			
CLIENT			
PROJECT	PROPOSED DWELLING HOUSE TO BE CONSTRUCT. PART OF LOT 4 AND 5		
TITLE	GLENMUIR KNOW CALLED GLENMUIR COUNTRY CLUB IN THE PARISH OF CLARENDON		
DESIGN BY.	C. MCKENZIE	DRAWN BY	C. MCKENZIE
	AS SHOWN	DATE	
			SHEET N06 OF'00